



PROTEKT®

ALUQUAD

Aluminum quadropod

NR REF: RX225-xxx-000 where xxx is the length of the beam.



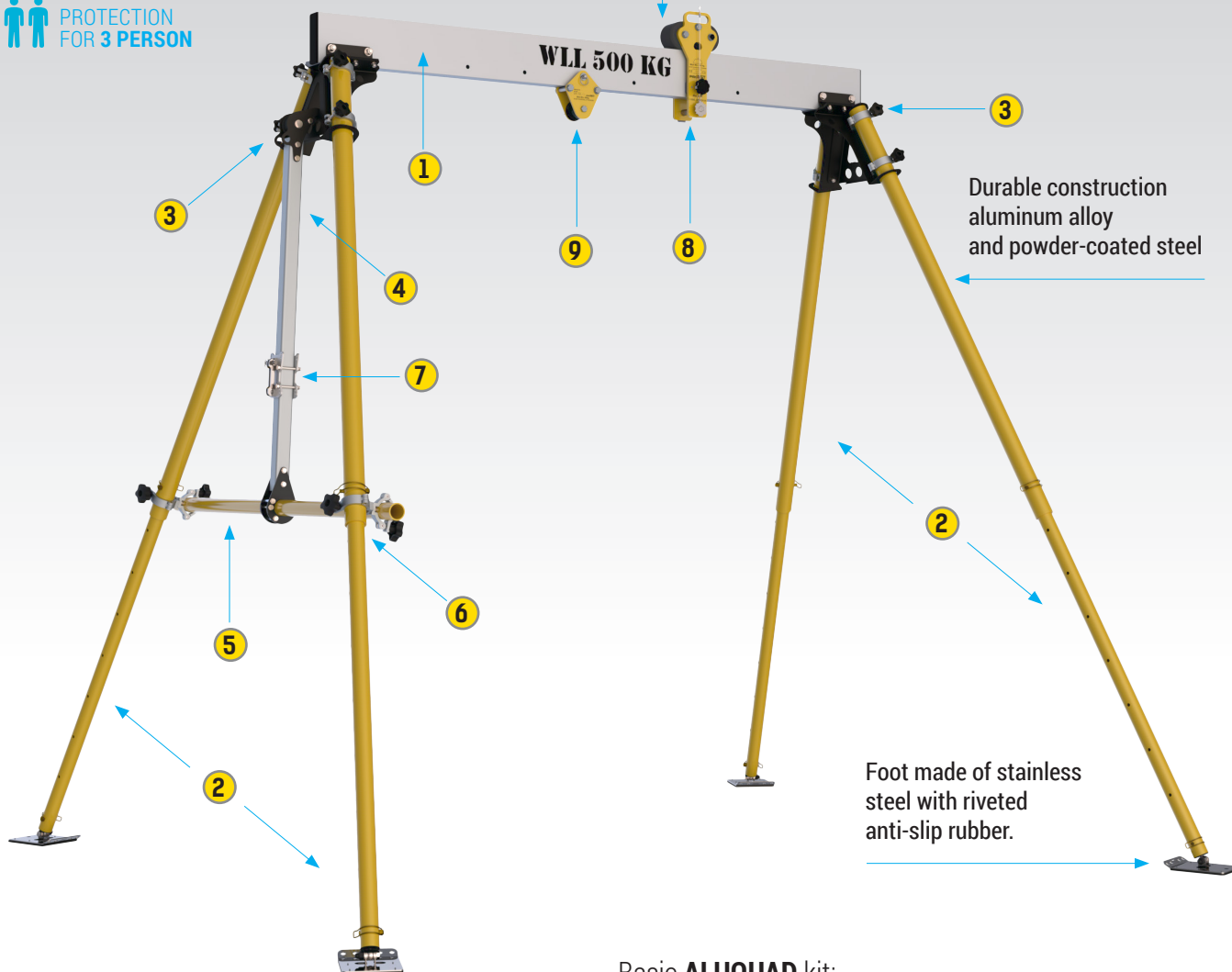
Made in Poland



EN795:2012 Typ B
CEN/TS 16415 Typ B



Rollers and slides made of polyamide and technopolymer



Durable construction aluminum alloy and powder-coated steel

Foot made of stainless steel with riveted anti-slip rubber.

Basic ALUQUAD kit:

- simple modular construction,
- protection for 3 people at the same time,
- evacuation up to **140 kg**,
- lifting goods to **500 kg**,
- weight only **57 kg** (beam version 2 m).

- 1) RX225-BEAM-xxx – xxx cm beam - 1 pc.
- 2) RX225-005-000 – telescopic 2 x 1,5 m leg with foot - 4 pc.
- 3) RX225-006-000 – steel head - 2 pc.
- 4) RX225-007-000 – winch base - 1 pc.
- 5) RX225-007-002 – winch base - horizontal beam - 1 pc.
- 6) SPC002 - swivel pipe coupling with polymerm knob 63 mm - 2 pc.
- 7) RX225-008-000 – RX225-UB (UTB light) - 1 pc.
- 8) KSB100-350-000 – KSB trolley - 1 pc.
- 9) KSB100-310 - KSB rope roller - 1 pc.

WWW.PROTEKT.EU

PROTEKT®

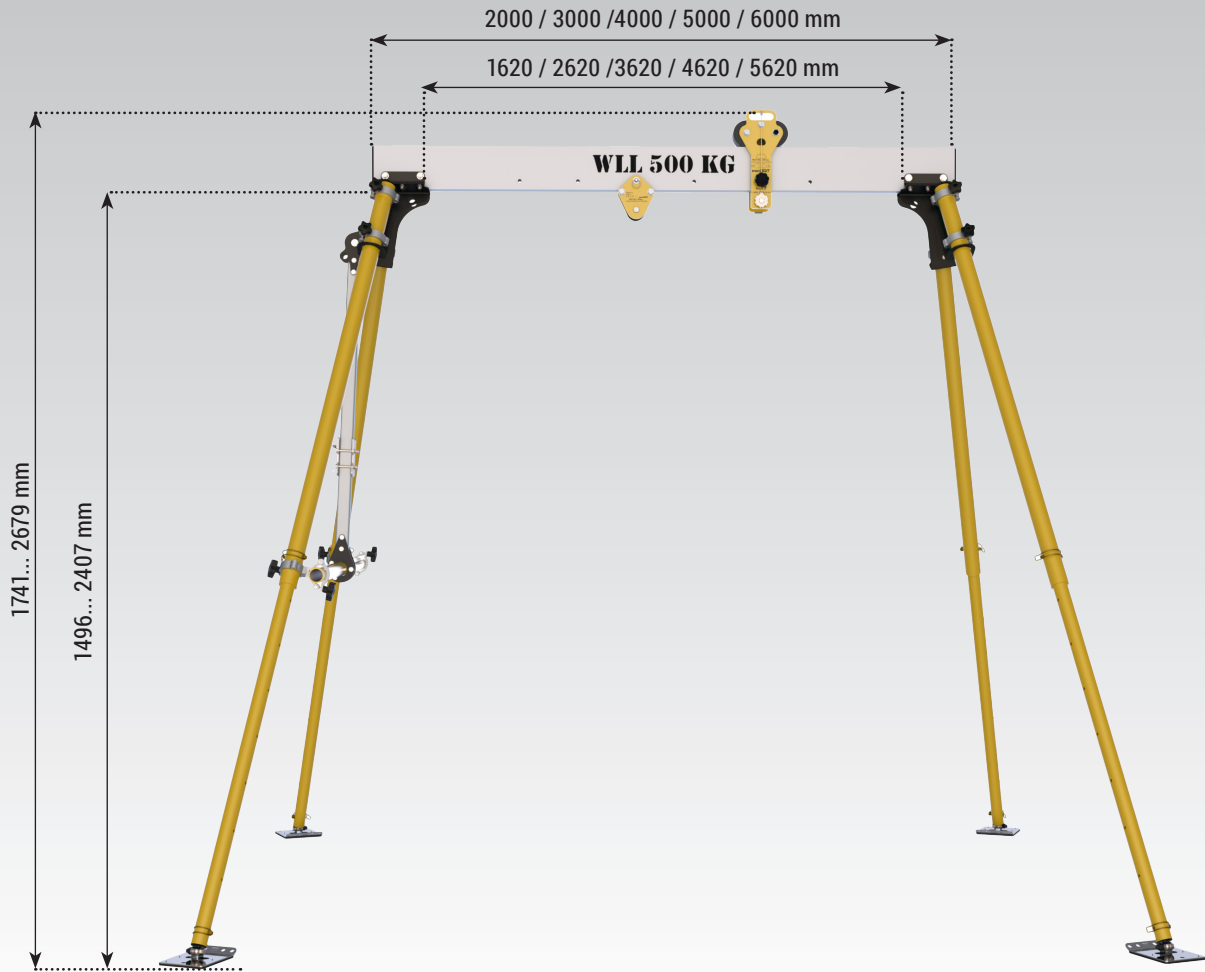
REGISTERED ADDRESS - PROTEKT Grzegorz Łaszkiwicz Sp. z o.o. Starorudzka 9, 93-403 Lodz, POLAND

OFFICE / SALE DEPARTMENT - Skromna 6, 93-405 Lodz, POLAND Phone +48 42 29-29-500, export@protekt.com.pl, fax +48 42 680-20-93

WAREHOUSE - Gombrowicza 6, 93-405 Lodz, POLAND



Aluminum quadropod **ALUQUAD**



ALUQUAD is a lightweight, modular and multifunctional device for use in fall protection systems (in accordance with EN 795/B and document TS 16415/B), evacuation (in accordance with EN 1496/B) and for lifting goods (in accordance with the Machinery Directive). Made of reinforced aluminium alloy and steel for high strength and low weight. Beam (available in lengths from 2 to 6 metres) is connected by two heads with 4 telescopic legs. The beam works in conjunction with a KSB trolley, which can be used as a connection point for fall protection equipment or as a mounting point for goods hoists. Standard equipment also allows evacuation devices (e.g. RUP series) to be mounted between the two legs of the unit (on the side) for easy access during operation. Each head, which also provides quick and stable connection of the legs to the beam, is equipped with a series of holes that allow the required equipment to be connected. A telescopic aluminium leg provides height adjustment of the unit. Locking of the leg is carried out by pipe pin with gate to prevent accidental fall. Each leg ends with a large stainless steel foot with riveted anti-slip rubber. The foot is secured to the leg with a pipe pin, allowing it to be quickly removed for transportation.

WWW.PROTEKT.EU

PROTEKT[®]

REGISTERED ADDRESS - PROTEKT Grzegorz Łaszkiwicz Sp. z o.o. Starorudzka 9, 93-403 Lodz, POLAND

OFFICE / SALE DEPARTMENT - Skromna 6, 93-405 Lodz, POLAND Phone +48 42 29-29-500, export@protekt.com.pl, fax +48 42 680-20-93

WAREHOUSE - Gombrowicza 6, 93-405 Lodz, POLAND



Cooperating devices with **ALUQUAD**

SELF-LOCKING DEVICES

CRW 200
self-locking/lifting device



PAD 100-310
adaptor to CRW 200



+

CRW 300
fall arrest device and a rescue lifting



PAD 100-320
adaptor to CRW 300

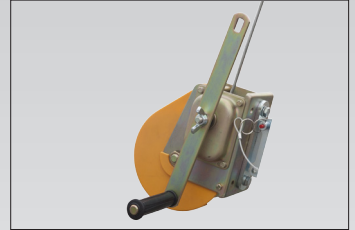


+



WINCHES

RUP 502-U
manual winch with steel rope



RUP 504
cable single-phase 230V electric winch



RUP 506
cable battery powered winch



RUP 505-U
evacuation capstan



RUP 507
battery chain hoist



WWW.PROTEKT.EU

PROTEKT[®]

REGISTERED ADDRESS - PROTEKT Grzegorz Łaszkiwicz Sp. z o.o. Starorudzka 9, 93-403 Lodz, POLAND

OFFICE / SALE DEPARTMENT - Skromna 6, 93-405 Lodz, POLAND Phone +48 42 29-29-500, export@protekt.com.pl, fax +48 42 680-20-93

WAREHOUSE - Gombrowicza 6, 93-405 Lodz, POLAND



Price list **ALUQUAD**

FULL SET OF: LEGS + BEAM + TROLLEYS (KSB100-350-000 , KSB100-310)

SET WEIGHT **LENGTH**



WLL 500 kg	57,00 kg	2 m
WLL 500 kg	61,13 kg	3 m
WLL 500 kg	65,26 kg	4 m
WLL 300 kg	69,39 kg	5 m
WLL 300 kg	73,51 kg	6 m



SET OF LEGS

SEPARATE BEAMS:

WEIGHT **LENGTH**

RX225-beam-200	WLL 500 kg	8,44 kg	2 m
RX225-beam-300	WLL 500 kg	12,57 kg	3 m
RX225-beam-400	WLL 500 kg	16,70 kg	4 m
RX225-beam-500	WLL 300 kg	20,83 kg	5 m
RX225-beam-600	WLL 300 kg	24,95 kg	6 m

REMOVABLE TROLLEY



KSB100-350-000

EXTERNAL ROPE ROLLER FOR BEAM



KSB100-310

WWW.PROTEKT.EU

PROTEKT[®]

REGISTERED ADDRESS - PROTEKT Grzegorz Łaszkiwicz Sp. z o.o. Starorudzka 9, 93-403 Lodz, POLAND

OFFICE / SALE DEPARTMENT - Skromna 6, 93-405 Lodz, POLAND Phone +48 42 29-29-500, export@protekt.com.pl, fax +48 42 680-20-93

WAREHOUSE - Gombrowicza 6, 93-405 Lodz, POLAND