

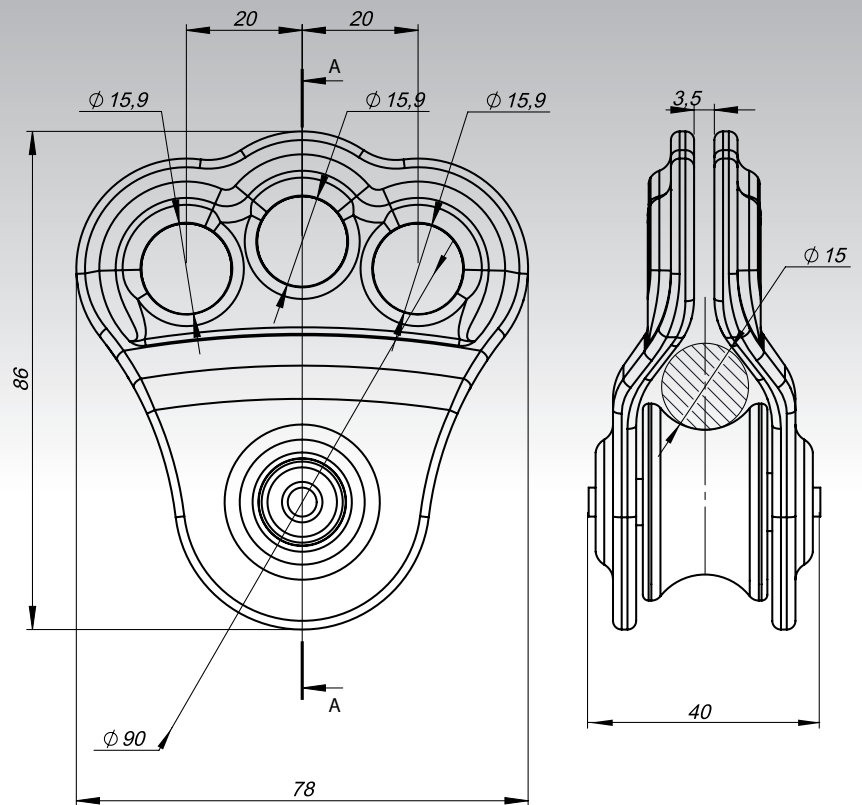


TU 421

Triple rope pulley made of forged aluminum, equipped with a ball bearing.



» EN 12278



PARAMETERS

Standard: EN 12278

Weight: 160 g

Dostępne kolory:

Material: forged aluminum, stainless steel

Dimensions: 78 x 86 x 40 mm

MBS : 25 kN

WLL: 5 kN

Permissible diameter of working rope ϕ : 13,5 mm

