

Reference number:

**AT 053-[T/BT] xx**

**READ CAREFULLY BEFORE USE THE EQUIPMENT**

**DESIGNATED USE**

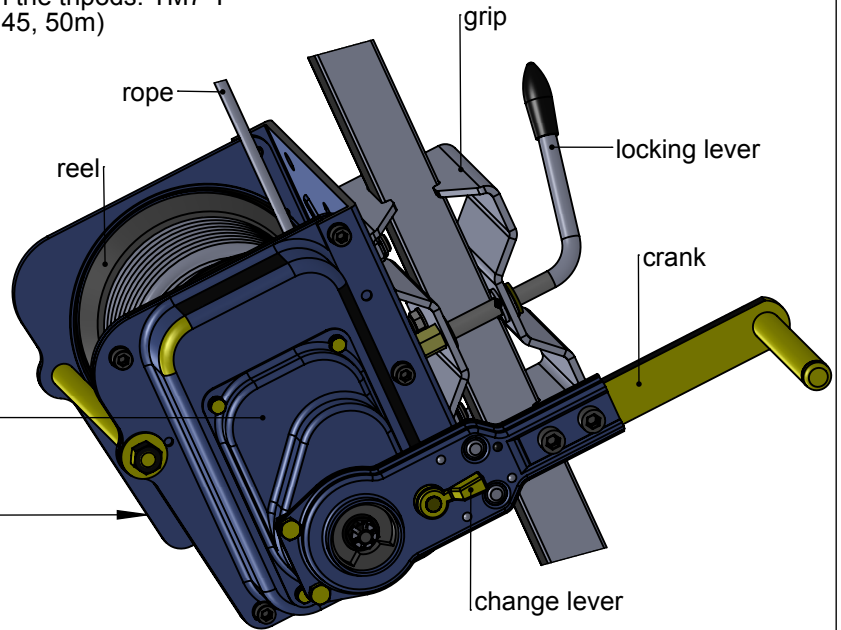
The brake winch RUP 503-[...]T series is a load lifting / lowering device. Device is equipped with safety brake for load suspension.

Description of RUP 503-[...]T series brake winches:

- RUP 503-T - lifting device with grip for mounting on the tripods: TM6-T / TM11-T / TM12 / TM12-2 / TM13-T
  - RUP 503-BT - lifting device with grip for mounting on the tripods: TM7-T
- sign "xx" - standard working rope length in meters (25, 35, 45, 50m)

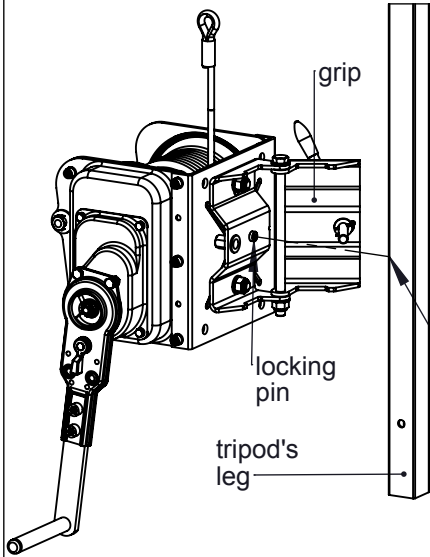
**TECHNICAL DATA**

working load limit:	1000 kg
hand force required:	10 kg
gear ratio:	22.2:1
reel diameter:	60 mm
crank length:	300 mm
rope diameter:	Ø 6,3 mm
weight:	rope 25 m - 22,5 kg rope 35 m - 24,0 kg rope 45 m - 25,5 kg rope 50 m - 26,2 kg

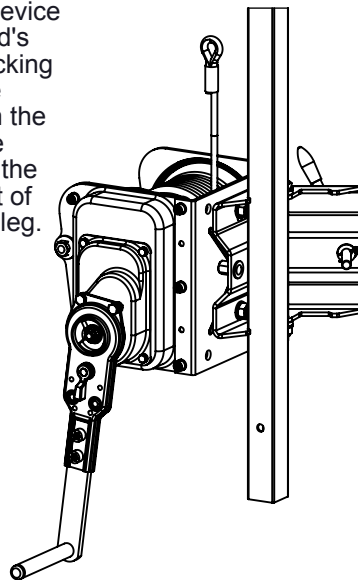


**INSTALLING ON THE TRIPOD**

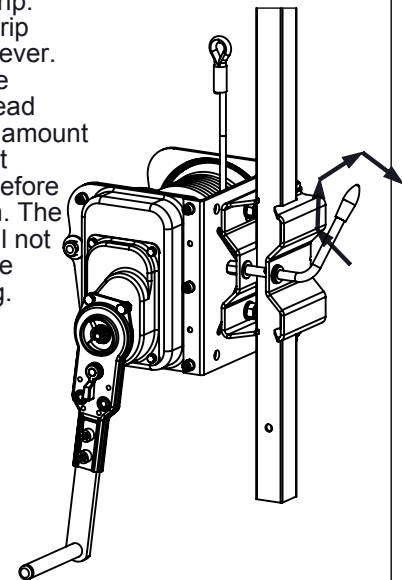
1. Open grip.



2. Put the device on the tripod's leg. Grip locking pin must be fastened on the locking hole situated on the outside part of the tripod's leg.

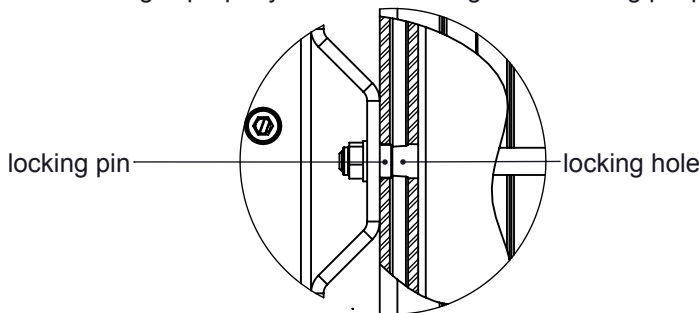


3. Close grip. Lock the grip using the lever. Grease the lever's thread with small amount of constant lubricant before installation. The winch shall not slide on the tripod's leg.

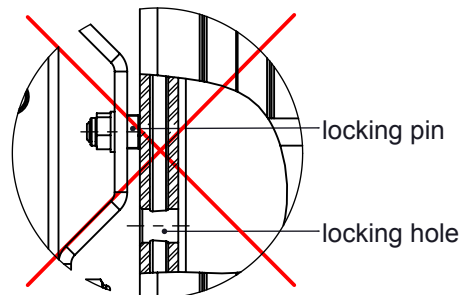


**CAUTION!**

Ensure that locking is properly fitted into locking hole. Locking pin prevents against device sliding on the tripod's leg.



**CORRECT !**  
Locking pin mounted in the locking hole



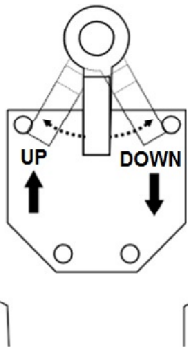
**WRONG !**  
Locking pin outside the locking hole

## LIFTING AND LOWERING LOADS

The lifting / lowering function is for lifting loads only and not for rescue purposes.

Lifting must happen by set change lever in UP position then rotating the crank clock-wise or operate crank back and forth to move load in up direction.

If the lever will be released while lifting the load will be suspended in place. The descent must happen by set change lever in DOWN position then rotating the crank counterclock-wise or operate handle back and forth to move load in down direction.

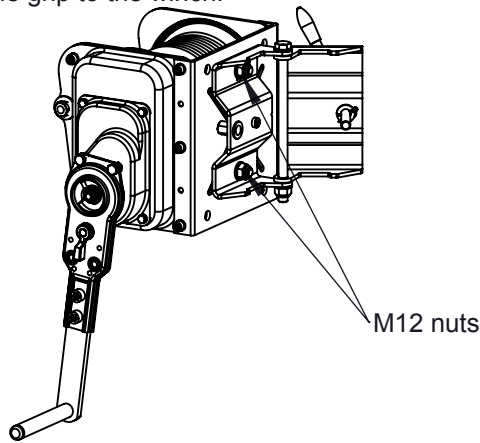


## INSTALLING DEVICE ON A FIXED STRUCTURE ELEMENT

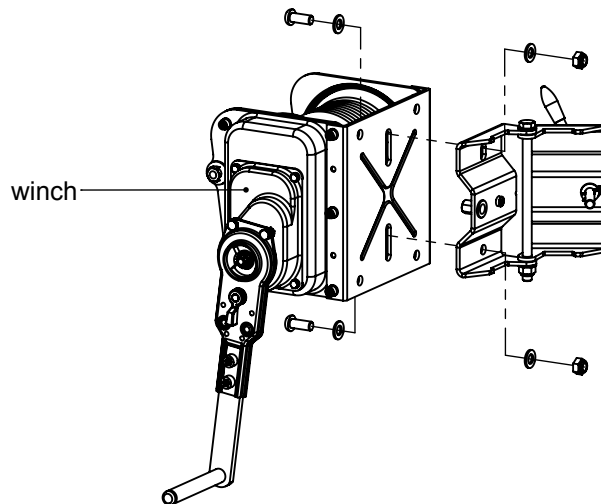
It is possible to install device directly on the fixed structure element like flat surface (e.g. wall) or steel profile. The fixed structure element to which the device is fastened must have stable construction and have minimal static strength at least twice the weight of load. Construction and fastening of the fixed structure element must prevent of accidental disconnection of the device. To install device on the fixed structure element we must remove the grip which is designed to be used only with the tripod.

## REMOVING THE GRIP

1. Unscrew two M12 nuts fastening the grip to the winch.

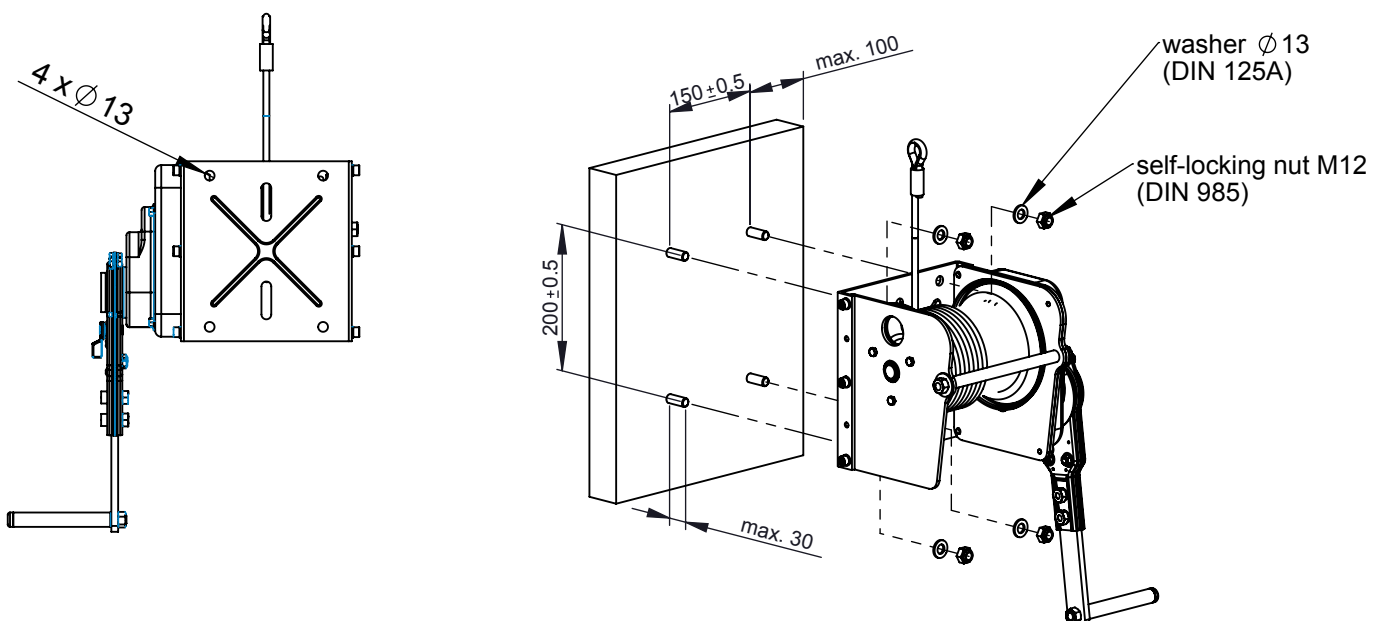


2. Remove bolts and washers. Remove the grip



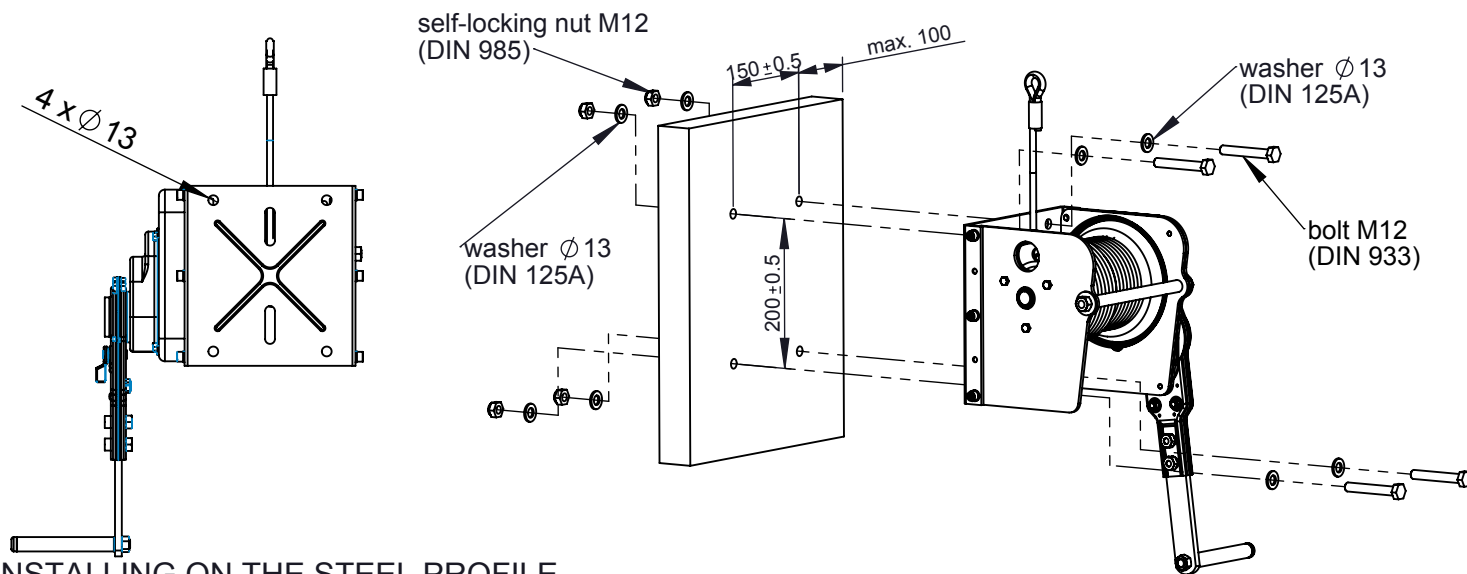
## INSTALLING ON THE FLAT SURFACE (MECHANICAL / CHEMICAL ANCHORS)

1. Device should be installed using four 13 mm holes situated on the back wall of the winch.
2. Install winch using four M12 steel mechanical or chemical anchor bolts. Anchors should be installed in accordance with the installation instructions provided by the manufacturer of the anchors.
3. Put the washer 13 (DIN 125A) under each nut. Tighten four M12 self-locking nuts (DIN 985).



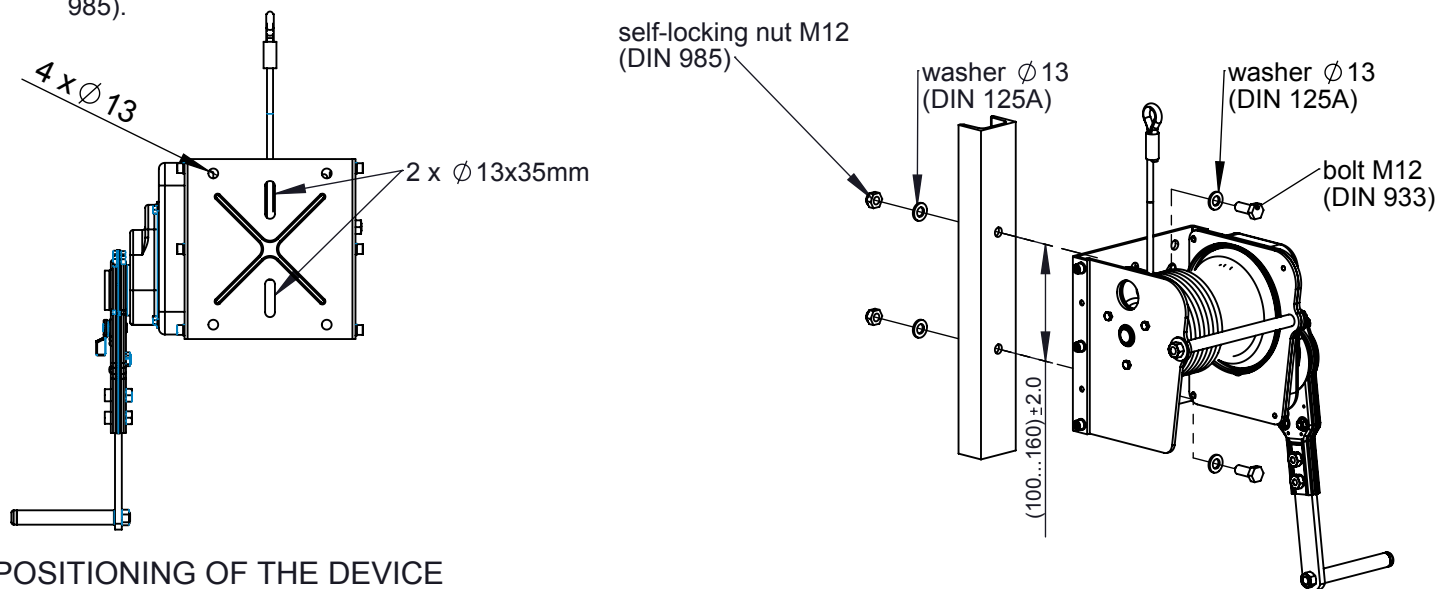
## INSTALLING ON THE FLAT SURFACE (SCREWS)

1. Device should be installed using four 13 mm holes situated on the back wall of the winch.
2. Install device using four M12 steel bolts. Put the bolts through the back wall of the winch and through the holes of the structural anchor surface.
3. Put the washers 13 mm (DIN 125A) under the head of each bolt and under each nut. Tighten four M12 self-locking nuts (DIN 985).



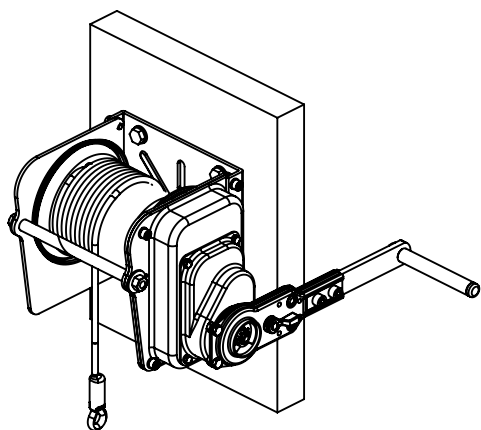
## INSTALLING ON THE STEEL PROFILE

1. To the narrow structural elements the winch should be mounted using two oblong holes (35 mm length) with a diameter 13mm located in back winch wall.
2. Device should be installed using two M12 steel bolts. Put the bolts through the back wall of the winch and through the structural anchor profile.
3. Put the washers 13mm (DIN 125A) under the head of each bolt and under each nut. Tighten two M12 self-locking nuts (DIN 985).

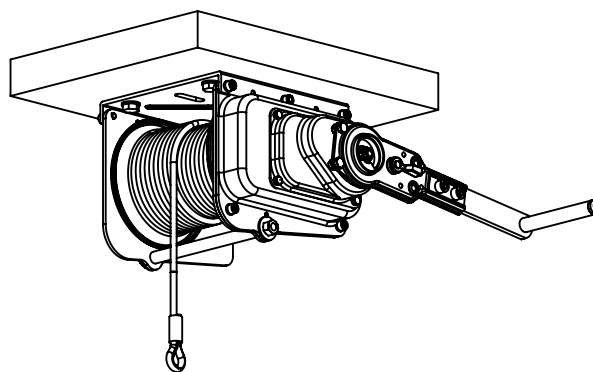


## POSITIONING OF THE DEVICE

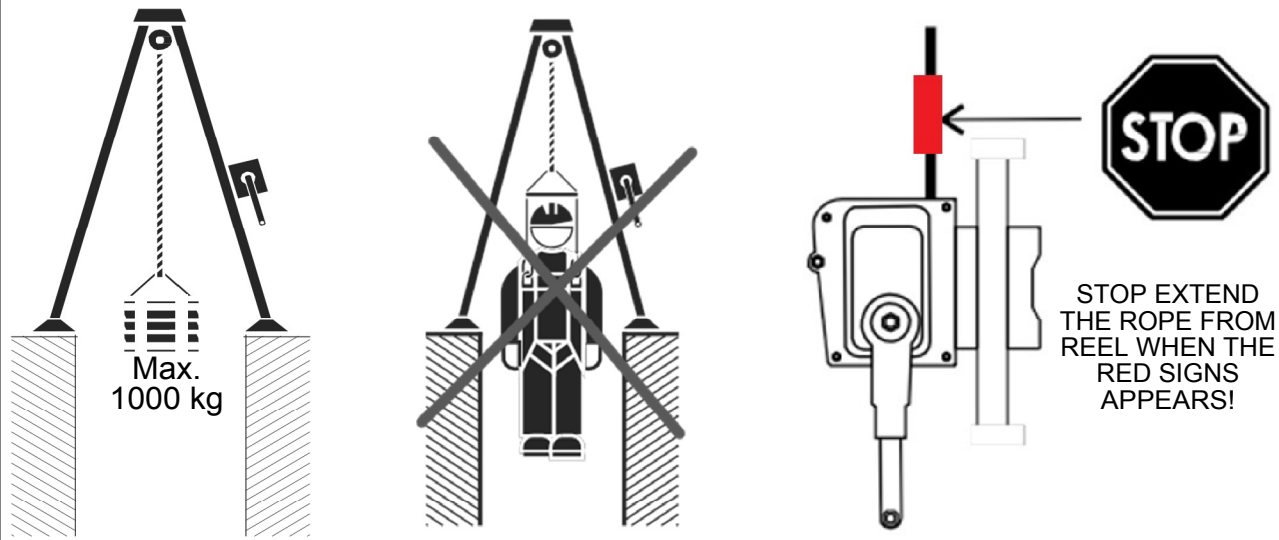
1. Check the proper position of the device and correct guiding of the rope shown on the pictures below.
2. The construction element where the winch is installed must be vertical or horizontal.



Device in a vertical position



Device on a horizontal position



## ESSENTIAL PRINCIPLES OF USE AND GENERAL SAFETY RULES

- The brake winch is designed to use only for lifting loads. This winch shall not be used as a rescue or fall arrest device.
- The winch shall not be used to transport the loads over areas where people could be present.
- Never apply load on winch with cable fully extended. Keep at least three full turns of cable on the reel.
- Operate with hand power and with crank included in the equipment only. This winch should not be operated with a motor of any kind. If the winch cannot be cranked easily with one hand, it is probably over-loaded.
- During use the winch must be protected against mechanical, chemical and thermal damages.
- Soiled device should be cleaned in accordance with the "Storage and maintenance".
- It is forbidden to make any alterations or additions to the equipment without the manufacturer's prior written consent.
- Any repair shall only be carried out by equipment manufacturer or his certified representative.
- It is forbidden to use combinations of items of equipment in which the function of any one item is affected by or interferes with the function of another.
- There are many hazards that may affect the performance of the equipment and corresponding safety precautions that have to be observed during equipment utilization, especially:- trailing or looping of lanyards or lifelines over sharp edges,- any defects like cutting, abrasion, corrosion, - climatic exposure,- pendulum falls,- extremes of temperature,- chemical reagents,- electrical conductivity.
- The fixed structure element to which the device is fastened must have stable construction and have minimal static strength at least twice the weight of load.
- Check the connections between fixed structure element and winch and the load to avoid accidental disconnection any of the elements.

## INSPECTION

Inspection is required to keep the proper maintenance of the equipment and ensure the safety of the use, which depends on continuous performance and durability of the device.

Before each use it is obligatory to:

- Inspect all parts of the equipment in respect of any damages (mechanical, chemical and thermal), excessive use, corrosion, abrasion, cutting or incorrect acting.
- Inspect connection stability to the fixed structure element and compliance of assembled components. During inspection the legibility of the device marking.
- Inspect connections of the device parts to avoid accidental disconnection any of the elements.

In case of any damages mentioned above device should be withdrawn from use.

## WITHDRAWAL FROM USE

The winch must be withdrawn from use immediately when any doubt arise about its condition for safe use and not used again until confirmed in writing by equipment manufacturer or his representative after carried out the detailed inspection.

Any repair shall only be carried out by equipment manufacturer or his certified representative.

## STORAGE AND MAINTENANCE

The winch can be cleaned and disinfected without causing adverse effect on the materials in the manufacture of the equipment. For textile products use mild detergents for delicate fabrics, wash by hand or in a machine and rinse in water. Plastic parts can be cleaned only with water. When the equipment becomes wet, either from being in use or when due cleaning, it shall be allowed to dry naturally, and shall be kept away from direct heat. In metallic products some mechanic parts (spring, pin, hinge, etc.) can be regularly slightly lubricated to ensure better operation.

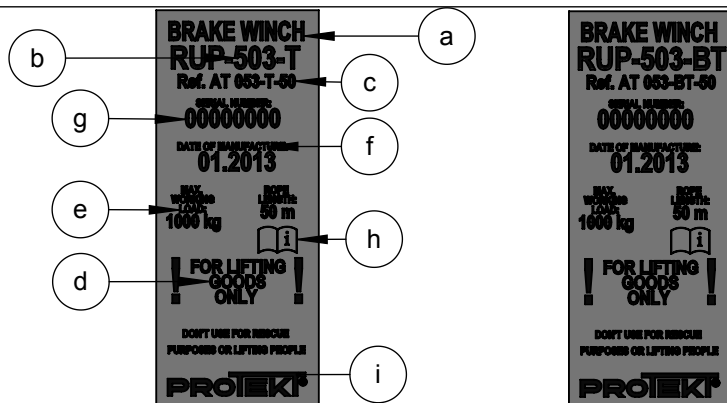
the winch should be stored loosely packed, in a well-ventilated place, protected from direct light, ultraviolet degradation, damp environment, sharp edges, extreme temperatures and corrosive or aggressive substances.

## TRANSPORTATION

The winch must be transported in the package (e.g.: bag made of moisture-proof textile or foil bag or cases made of steel or plastic) to protect it against damage or moisture.

**CONTENT OF THE IDENTITY LABEL**

- a) Device type.
- b) Model symbol.
- c) Reference number.
- d) Caution: device only for lifting load.
- e) Maximum load limit.
- f) Month and year of manufacture.
- g) Serial number of the tripod.
- h) Caution: read the manual.
- i) Marking of the manufacturer or distributor of the tripod.



**IDENTITY CARD**

IT IS RESPONSIBILITY OF THE USER ORGANISATION TO PROVIDE THE IDENTITY CARD AND TO FILL IN THE DETAILS REQUIRED. THE IDENTITY CARD SHOULD BE FILLED IN ONLY BY COMPETENT PERSON RESPONSIBLE FOR PROTECTIVE EQUIPMENT. THE IDENTITY CARD SHOULD BE FILLED IN BEFORE THE FIRST USE OF THE EQUIPMENT. ANY INFORMATION ABOUT THE EQUIPMENT LIKE: PERIODIC INSPECTIONS, REPAIRS, REASONS OF EQUIPMENT'S WITHDRAWN FROM USE SHALL BE NOTED. THE IDENTITY CARD SHOULD BE STORED DURING A WHOLE PERIOD OF EQUIPMENT UTILIZATION. DO NOT USE THE EQUIPMENT WITHOUT THE IDENTITY CARD.

<b>MODEL AND TYPE OF EQUIPMENT</b>	
<b>REF. NUMBER</b>	
<b>SERIAL NUMBER</b>	
<b>DATE OF MANUFACTURE</b>	
<b>DATE OF PURCHASE</b>	
<b>DATE OF FIRST USE</b>	
<b>USER NAME</b>	

**PERIODIC EXAMINATION AND REPAIR HISTORY**

	DATE	REASON FOR SERVICING / REPAIR	REPAIRS CARRIED OUT	NAME AND SIGNATURE OF COMPETENT PERSON	DATE OF NEXT EXAMINATION
1					
2					
3					
4					
5					
6					
7					
8					
9					

**PRODUCER:**

PROTEKT, 93-403 LODZ, ul. Starorudzka 9, POLAND, tel: +48 (42) 680 20 83, fax: +48 (42) 680 20 93, www.protekt.com.pl