

A



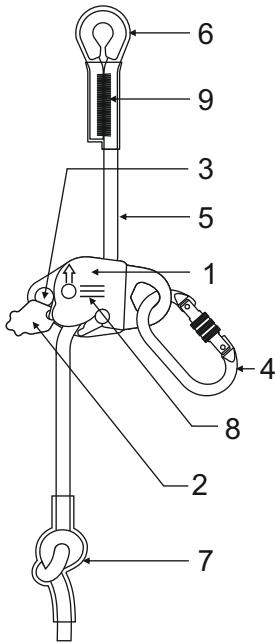
PROTEKT[®]

CE 0082

EN353-2:2002 EN358:2018 EN12841:2006-A

EN Guided type fall arrester AC080

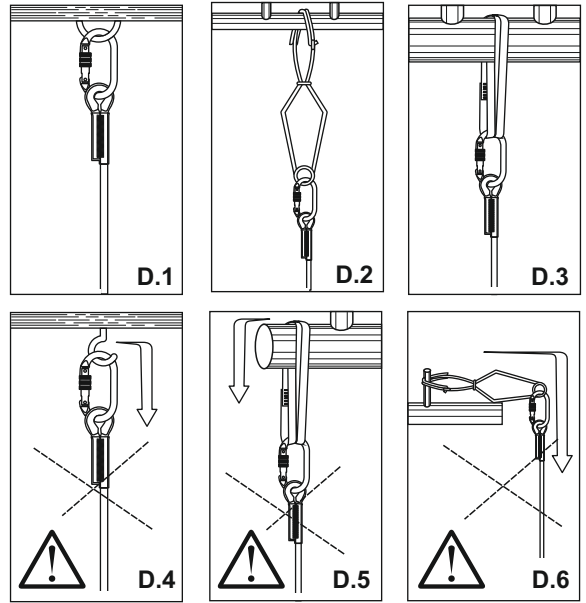
B



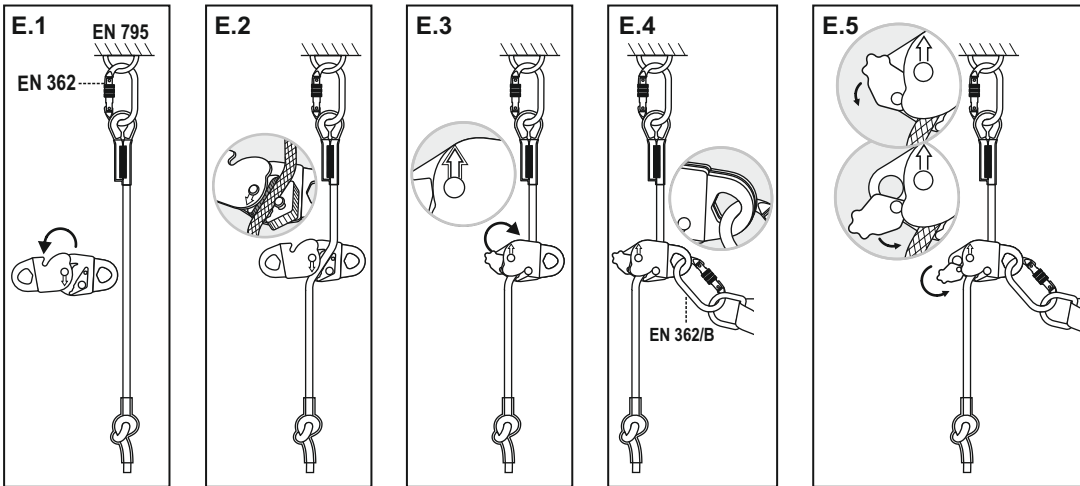
C

- (a) AC080
- (b) UP ↑
- (c) Ø 12 Ref. AC 300
EN 353-2:2002
- (d) EN 358:2018
- (e) EN 12841:2006-A
- (f) max: 140 kg
- (g) Date of manufacture: mm/yyyy
- (h) Serial No: XXX XXX XXX
- (i) CE 0082
- (j) ANCHOR LINE
- (k) AC 300 xx
- (l) Diameter: 12 mm
- (m) Length: xx m
- (n) PROTEKT[®]

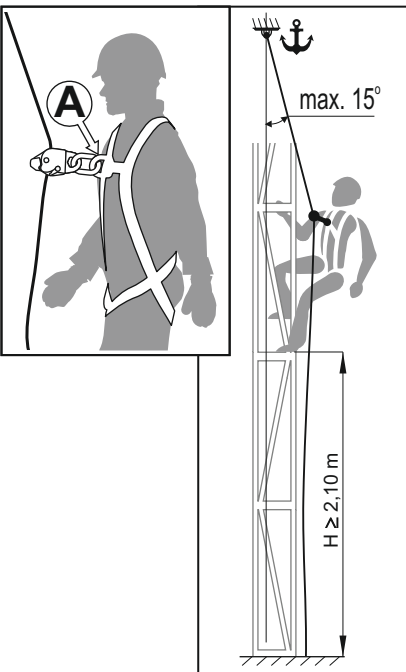
D



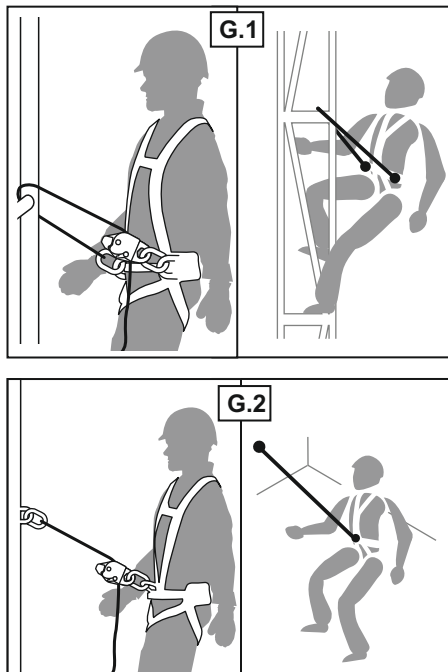
E



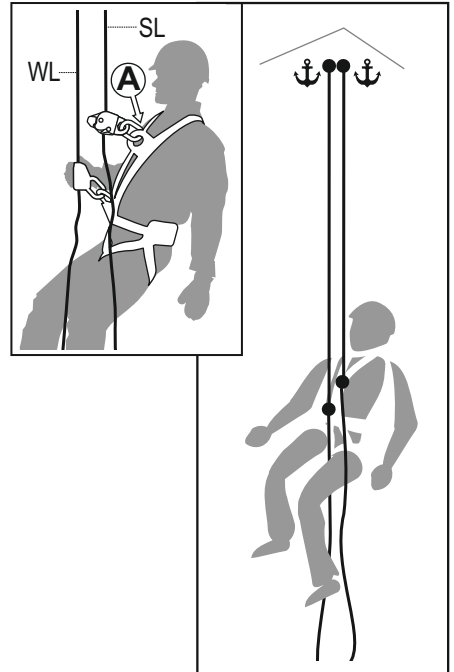
F



G



H



EN - NOTE: Before use of the equipment carefully read this instruction manual.

A. DESCRIPTION

Guided type fall arrester AC080 is a component of personal fall protection equipment.

The device is compliant with:

- EN 353-2 - Personal protective equipment against falls from a height – Part 2: Guided type fall arresters including a flexible anchor line,
 - EN 358 - Personal protective equipment for work positioning and prevention of falls from a height – Belts and lanyards for work positioning or restraint,
 - EN 12841 - Personal fall protection equipment – Rope access systems – Rope adjustment devices. Type A.
- Device AC080 is intended for use with polyester work ropes of 12mm in diameter, with ref. no. AC300. Device AC080 is designed to provide protection for one user with a maximum weight of 140kg.

B. ELEMENTS

1. Aluminium guided type mechanism.
2. Device locking plate.
3. Lock release hole.
4. Guided type mechanism connector.
5. Lifeline.
6. Upper end of lifeline equipped with thimble.
7. Lower end of lifeline with safety knot.
8. Marking of device
9. Marking of lifeline.

C. MARKING

- a) reference number of device
- b) arrow and illustration of direction of device mounting
- c) type, diameter and reference number of lifeline used with device
- d) number and year of European standards applicable to device
- e) maximum load of device
- f) month and year of manufacture
- g) serial number of device
- h) CE mark and number of notified body controlling the equipment production process
- i) before use read the instruction manual
- j) name of line
- k) reference number of lifeline – “xx” value stands for length
- l) diameter of anchor line
- m) length of work rope
- n) marking of manufacturer

D. CONNECTING WORK ROPE TO STRUCTURAL ANCHOR POINT

Lifeline should be attached to structural anchor point using connector or anchor device compliant with EN 362 (D.1 and D.2) or EN 795 (D.3) connected to attachment loops on upper end of lifeline. Static strength of structural anchor point should be min. 12 kN. Shape and design of structural anchor point should not allow for self-acting disconnection of the device (D.4, D.5, D.6). It is recommended to use certified and approved anchor points compliant with EN 795.

E. INSTALLATION OF DEVICE ON LIFELINE

- E.1 Open front wall of the device by rotating it upwards.
- E.2 Insert lifeline to the mechanism with use of aluminium cams.
- E.3 Close the wall of the device by rotating it downwards. Arrow on the wall should be pointed up, towards lifeline anchor point.
- E.4 After folding walls of the device, clamp them with connector compliant with EN 362 with max. length of 10cm. Attach the snap hook directly to anchor point of body support device.
- E.5 When working on one station, it is possible to lock the mechanism on the rope by lowering the locking plate towards the rope. The device, when locked, should be located above user on a taut lifeline. Do not allow slack on the line above the device.

F. USING DEVICE AC080 AS GUIDED TYPE FALL ARRESTER INCLUDING FLEXIBLE ANCHOR LINE - EN 353-2

Connector of guided type fall arrester must be connected to attachment point on full body harness, marked with capital letter “A”. It is recommended to use front attachment point. Full body harness must comply with EN 361. Lifeline should be attached to anchor point located vertically above the user. Maximum permissible deflection of lifeline from the vertical is 15° in relation to structural anchor point line when user moves in the horizontal. To ensure safe fall arrest, provide a required amount of free space below user “H” of minimum 2.10m. Use of lifeline with a length of more than 20m requires increasing the amount of free space below user by 5% of the length of the device.

NOTE: When ascending and descending on the first 2 metres above the ground, the user may not be properly protected against hitting on the ground when falling, thus when working at such heights, it is necessary to keep particular caution.

G. USING DEVICE AC080 AS LANYARD FOR WORK POSITIONING - EN 358.

Lanyard for work positioning can be attached to a structure:
- by encircling a structural element – attach connector of device AC080 to a side buckle of work positioning belt to EN 358, and then encircle a structural element with the line and attach connector of the line to other side buckle of the belt - G.1.
- directly to a structural anchor point – attach connector of device AC080 to front buckle of sit harness to EN 813, and connector of the line to anchor point - G.2.
Lanyard for work positioning must be attached to a structural anchor point or an anchor point located at waist level or above and have static strength min. 12kN. Lanyard for work positioning must be taut when in operation. It is forbidden to use lanyard for work positioning when using the device as a fall arrester. Work positioning belt with lanyard for work positioning should not be used if there may be a risk of user's suspension or unintended tension of the belt. When using a work positioning system the user relies on work positioning equipment, therefore it is necessary to consider the use of an additional protection, e.g. fall arrest system.

H. USING DEVICE AC080 AS SAFETY LINE ADJUSTMENT DEVICE TYPE A - EN 12841/A.

Device AC080 on safety line (“SL”) is used additionally as lanyard

when working on anchor work line (“WL”) with adjustable length, loaded with full weight of the user. Safety line and work rope must be attached separately to a structure directly or by means of an anchor device.

Connector of the device must be connected to attachment point on full body harness, marked with capital letter “A”. Full body harness must comply with EN 361. Safety line should be attached to anchor point located vertically above the user. Avoid any sags of anchor line between user and anchor point. Maximum permissible deflection of safety line from the vertical is 15° in relation to structural anchor point line when user moves in the horizontal. Ensure a minimum clearance of 2.10m below the user so when breaking or malfunction of work line or one of its components, the user would not hit on the ground or other obstacles on the way when falling. Use of safety line with a length of more than 20m requires increasing the amount of free space below the user by 5% of

the length of the device.

I. PERIODIC INSPECTIONS

The device should be subjected to detailed periodic inspections every 12 months from the date of first use. Periodic inspections can be carried out only by a competent person with knowledge and skills required to carry out periodic inspections of personal protective equipment. Based on type of works and working environment it may be necessary to carry out inspections more frequent than once every 12 months. All periodic inspections should be recorded in Identity card of the device.

G. MAXIMUM TIME OF USAGE OF EQUIPMENT

Maximum time of usage of correctly operating guided type mechanism is unlimited. Maximum time of usage of lifeline is 10 years.

H. WITHDRAWAL FROM USE

The device (guided type mechanism with anchor line) must be withdrawn from use and destroyed immediately if it has been used to arrest a fall or it is considered not suitable for further use based on inspection carried out or if there are any doubts as regards its technical condition.

NOTE: Maximum time of usage of the device depends on intensity of use and environmental conditions. If the device is used in difficult conditions, in marine environment, in places where sharp edges are present, in conditions of exposure to high temperature or aggressive substances, etc., it may be necessary to withdraw it from use even after one use.

I. ESSENTIAL PRINCIPLES FOR USERS OF PERSONAL FALL PROTECTION EQUIPMENT

- Personal fall protection equipment can be used only by trained personnel who are aware of keeping safety.
- Personal fall protection equipment cannot be used by personnel, health condition of whom may pose an extra risk to their own safety in normal use and rescue action.
 - For each work station it is necessary to prepare rescue plan, including potential risks.
 - When suspended in personal fall protection equipment (e.g. after arresting a fall) please be alert to symptoms of “suspension trauma”.
 - To avoid symptoms of “suspension trauma” make sure that correct rescue plan can be implemented. It is advised to use foot straps.
 - It is forbidden to make any modifications of the equipment without prior written consent of the manufacturer.
 - Any repairs can be carried out by manufacturer of the equipment or his authorised representative only.
- Personal fall protection equipment cannot be used beyond limitations in its use or for purposes other than resulting from its intended use.
- Personal fall protection equipment should be used by one particular user.
- Before use it is necessary to make sure whether elements of the equipment mounted in energy absorbing and connection component are cross-compliant. On a regular basis inspect connection and adjustment of parts of the equipment to prevent their accidental loosening or disconnection.
- It is forbidden to connect elements of the equipment, where safe operation of one of the elements affects or interferes with safe operation of the other.
- Before each use of personal fall protection equipment it is obligatory to pre-check the equipment for function to make sure its condition allows for safe operation.
- During pre-check of the equipment it is necessary to inspect all its elements for damages, excessive wear, corrosion, abrasion, loops, webbing, seams, housing, snap hooks;
 - in full body harnesses and work positioning belts - buckles, regulating elements, attachment points, webbing, seams, belt loops;
 - in energy absorbers: attachment loops, webbings, seams, housing, snap hooks;
 - in textile ropes, lanyards or lifelines: line, loops, thimbles, snap hooks, attachment elements, splices;
 - in steel ropes, lanyards or lifelines: cable, wires, cleats, connectors, loops, thimbles, snap hooks, regulating elements;
 - in retractable type fall arresters: line or webbing, proper function of retracting and braking gear, housing, energy absorbers, snap hook;
 - in guided type fall arresters: fall arrester body, function of guided type mechanism, function of locking gear, rivets and bolts, snap hook, energy absorber;
 - in metallic components (connectors, hooks, anchor points): main body, rivets, pawl, function of locking gear).
- Every time after 12 months of use, individual fall protection equipment should be withdrawn from use to carry out a periodic inspection. Periodic inspections can be carried out by a competent person with knowledge and skills required to carry out periodic inspections of personal protective equipment. Periodic inspection can be carried out by both manufacturer, and his authorised representative.
- For some types of equipment with a complex design, e.g. some types of retractable type fall arresters, yearly inspections can be carried out by the manufacturer or his authorised representative only.
- Regular periodic inspections have a significant influence on keeping the equipment in proper condition, and also on safety of its users which also depends on functionality and durability of the equipment.
- During periodic inspection it is necessary to check legibility of markings on the equipment. Never use equipment with illegible markings.
 - When marketing or using a device in country other than intended, the marketing entity must provide instructions for use, maintenance, periodic inspections and repair – in language of the country where product is to be used.
 - Personal fall protection equipment should be withdrawn from use immediately after any doubts arise as for its condition for safe use. It must not be used again until the manufacturer or his authorised representative confirms that detailed inspection of the equipment has been carried out.
 - Personal fall protection equipment should be withdrawn from use immediately after arresting a fall and destroyed (or other procedures should be implemented in accordance with detailed recommendations given in instruction manual of the equipment).
- Full body harness (compliant with EN 361) is the only permissible work positioning device that can be used along with energy absorbing and connecting component.
- For full body harness in order to connect energy absorbing and connecting component use only anchor points marked with capital letter “A”.
- Anchor device or structural anchor point used to attach energy absorbing and connecting component always should be set adequately and carry out works with its use so as to minimise both the possibility of a fall, and the distance of a fall. Anchor device / point should be located above user's work station. Shape and design of anchor device / structural point should prevent self-acting disconnection of the equipment. Minimum static strength of anchor device / point is 12kN. It is recommended to use approved and marked structural anchor points compliant with EN 795.
 - It is obligatory to check the required free space under user in the work place before each use of energy absorbing and connecting component so in case of a fall the user does not hit the ground or any obstacle on the way. The required amount of free space should be calculated based on instruction manual of the equipment used.
 - There are many risks that can affect function of the equipment, and thus it is advisable to take adequate precautions during its use, and in particular in case of: -

