

Universal steel climbing spikes

Reference number DR100

TABLE OF CONTENTS:

1. General	1
2. Working Load Limit	1
3. Height adjustment	1
4. Gaff replacement	2
5. Upper binding adjustment	2
6. Lower binding adjustment	3
7. Warranty	3

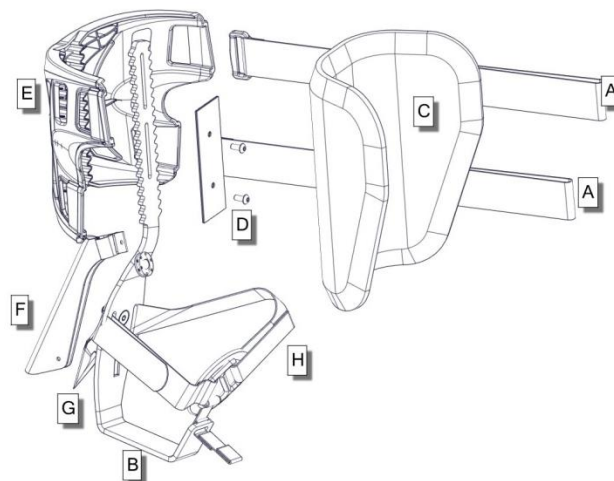


Figure 1. Elements of complete set

- A - Adjustable velcro strips of upper binding
- B - Main stirrup
- C - Padding
- D - Height adjustment gear
- E - Composite framing
- F - Gaff protective guard
- G - Hardened steel gaff
- H - Adjustable velcro strips of lower binding



2. Working Load Limit

The product is designed to be used for ascending and descending of workers, and works in suspension with a weight, including auxiliary equipment, of not less than 130 kg.

3. Height adjustment

Before use make sure to adjust the height of padding to your leg.

The adjustment is done by detachment and removal of the padding and loosening of the adjustment gear. By moving up and down, set the framing in an optimum position for your leg as indicated below:

- Detach padding from adjustment gear velcro strip;
- Loosen adjustment gear;
- Put leg in working boots through and fasten lower binding
- Move the composite framing along the stirrup so the top edge of the upper binding is positioned 5cm below your knee. Push the stirrup through the framing and remove the climbing spike from the leg. Tighten the adjustment gear as screws M5. Torque screws to 4kN.
- To check the climbing spike for correct fit, tighten it properly and fasten all straps. Bend your knee at 90°. With optimum height settings, movements of knee and foot should not be restricted.

1. General

Climbing spikes are designed for use in arborist works as an auxiliary equipment for ascending during works at a height. Climbing spikes are not Personal Protective Equipment.

Climbing spikes are not mountaineering equipment.

Climbing spikes are intended for use only as auxiliary equipment for ascending during works at a height in arborist works.

Works with use of climbing spikes are dangerous and bear a risk of a fall if additional personal protective equipment is not used.

The device should be used only as intended.

The right climbing spike is different from the left one. Each of them is marked with letters R or L on the inner side of the stirrup.

It is obligatory to check the set of climbing spikes for completeness Figure 1.

When in use, all straps and velcro strips should be well tightened and properly secured. Improper use may cause an accident and serious injuries.



Figure 2. Padding height adjustment

4. Gaff replacement

Climbing spikes are delivered with two gaffs, long and short. A gaff is mounted with screw M8 torqued to about 14Nm. Before any work, please check if the gaff is well tightened.



Figure 3. Gaff replacement

NOTE: Maximum time of usage of the device depends on intensity and environment of use. If the device is used in heavy conditions, being exposed to frequent contact with water, at extreme temperatures, it may be necessary to withdraw the device from use prematurely.

5. Upper binding adjustment

- Put straps through hole in the composite framing, and fasten to a maximum, so they are tightened on the leg (Figure 4).



Figure 4. Stages of upper binding fastening

6. Lower binding adjustment



Figure 5. Stages of lower binding fastening



7. Warranty

The manufacturer grants a warranty for 12 months from the date of purchase of the device. If a defect is found in any part, the warranty and guarantee period for this part is extended by the time of repairs and effective removal of the defect found.

The warranty covers:

- Defects in material,
- Defects in workmanship,
- Anti-corrosion coating defects.

Periodic inspection shall be carried out by a service point authorized by the Manufacturer or a person trained in inspections of such equipment.

A trained person is a person who, based on own specialized education and adequate experience, has sufficient knowledge in installed protective and rescue equipment, and is familiarized with applicable OHS regulations, guidelines and generally acknowledged technical rules to such extent that is able to assess safety of use and correct application of protection devices.

Before each use of the system visually check the device for its integrity and technical condition.

If any defect or lack of integrity is found, do not use the device.

If any doubts arise as regards the use of the equipment, please contact the manufacturer and never try to repair the equipment on your own!