



Instruction Manual

READ CAREFULLY BEFORE USE
THE EQUIPMENT

PROTEKT®

DX 017 - with with steel profiles
DX 018 - with aluminium profiles

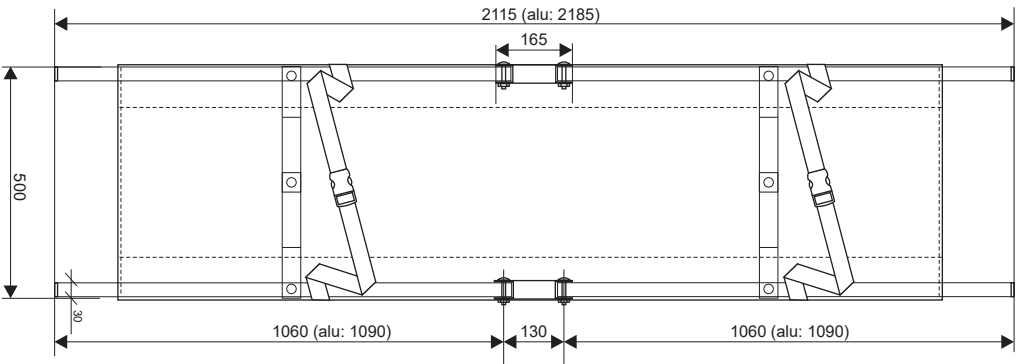
Rescue Stretcher DX 017/DX 018

Rescue Stretcher has been designed for rescue where space is confined. Rigid construction is made with zinc pated steel or aluminium profiles with Cordura fabric.

Quality stretchers were are collapsible, lightweight and portable, making these stretchers easy to use during any rescue operation.

TECHNICAL DATA

- max load limit: 120 kg with with steel profiles
110 kg with aluminium profiles
- length unfolded: 211,5 cm with steel profiles
218,5 cm with aluminium profiles
- width unfolded: 50 cm
- length folded: 106 cm with steel profiles
109 cm with aluminium profiles
- width folded: 17 cm
- weight: 10 kg with steel profiles
5 kg with aluminium profiles
- shipping dimentions: 110 x 17x 11 cm (folded)



In rescue operation remember to fasten the body using straps



How to fold rescue stretcher

